



Putting Malaysia in the World Map of IC Design

SkyeChip Business Focus

Design and Sale of advanced Silicon IPs and IC Products for Artificial intelligence and High Performance Computing



Moving up Semiconductor Value Chain

- SkyeChip is the only Malaysian company to design advanced Silicon IP and IC products on 7nm technology
- Putting Malaysia in the World Map of Advanced IC Design

Moving up the Value Chain



SKYECHIP TEAM

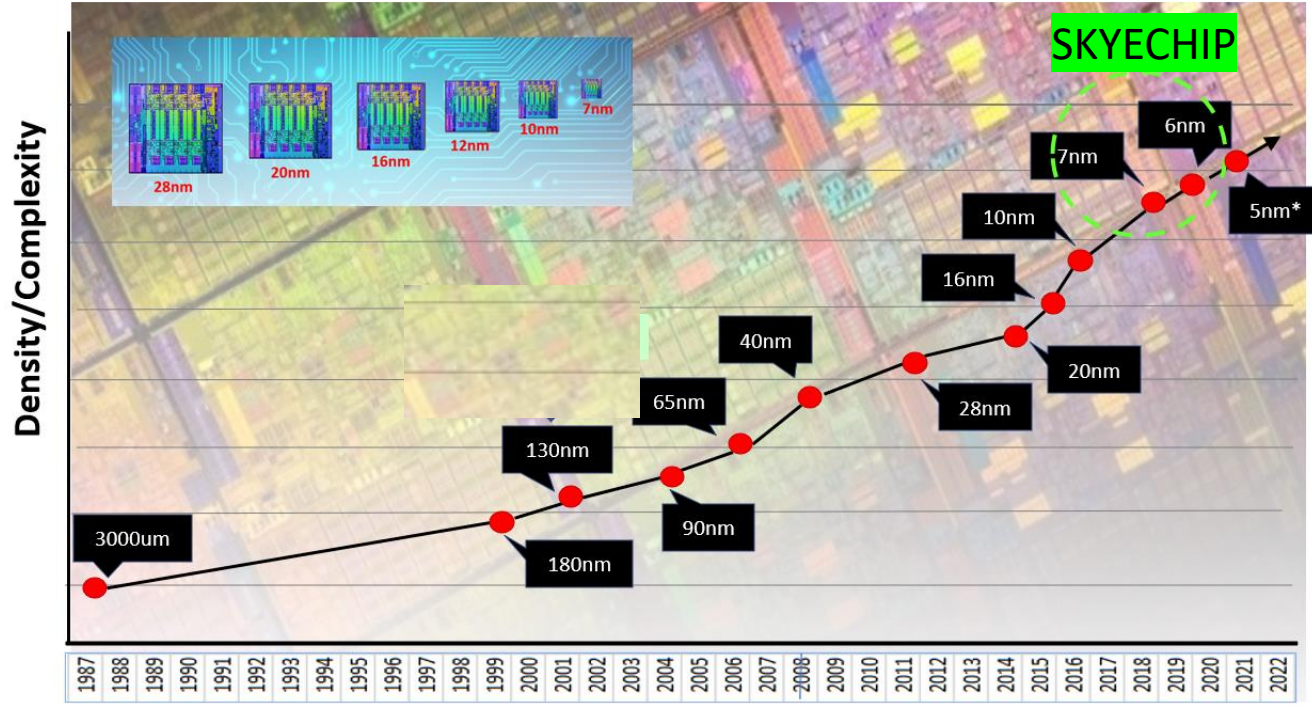
- Turning 30 Years of IC Design experience in MNCs into Malaysian ASSET
- 100 people strong. 650 years of total experience. 85 US patents. 100% Malaysian



Decades of experience in designing world class IC products

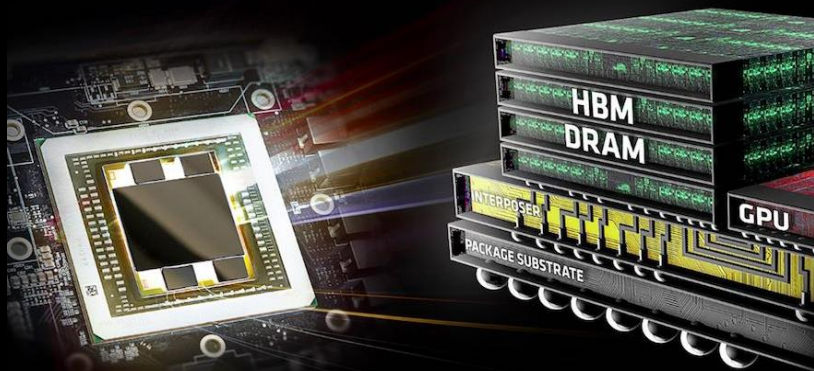


Advanced Technology Development

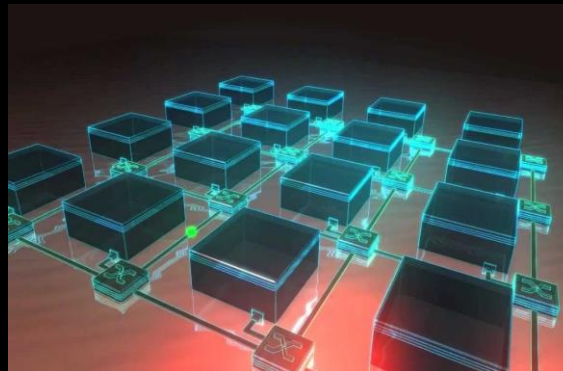


- Only Malaysia and ASEAN IC company using 7nm process technology
- Designing cutting edge IPs: High Bandwidth Memory 3 (HBM3) and Network on Chip
- Already filed 12 patents in US in 1st year
- Team size reaches 100 people.
 - 40% more than 10 years experience

High Bandwidth Memory 3 IP



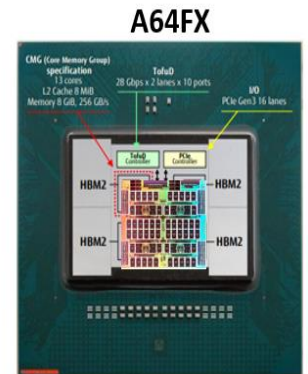
Network On Chip IP



SKYECHIP PROPRIETARY

SkyeChip Technology vs Fugaku Supercomputer

Rank	System	Cores	Rmax (TFlop/s)	Rpeak (TFlop/s)	Power (kW)
1	Supercomputer Fugaku - Supercomputer Fugaku, A64FX 48C 2.2GHz, Tofu interconnect D, Fujitsu RIKEN Center for Computational Science Japan	7,299,072	415,530.0	513,854.7	28,335



- TSMC 7nm FinFET & CoWoS
- Armv8.2-A SVE (
- HBM2
- Broadcom SerDes
- High performance Network on Chip
- High Speed SRAMs